

NP-VG2HD

VGA & Audio to HDMI Scaler Converter

User Manual



Full HD
1080

WUXGA
×1920
1200



rev: 190911
Made in Taiwan



Safety and Notice

The **NP-VG2HD VGA & Audio to HDMI Scaler Converter** has been tested for conformance to safety regulations and requirements, and has been certified for international use. However, like all electronic equipments, the **NP-VG2HD** should be used with care. Please read and follow the safety instructions to protect yourself from possible injury and to minimize the risk of damage to the unit.

- Follow all instructions and warnings marked on this unit.
- Do not attempt to service this unit yourself, except where explained in this manual.
- Provide proper ventilation and air circulation and do not use near water.
- Keep objects that might damage the device and assure that the placement of this unit is on a stable surface.
- Use only the power adapter and power cords and connection cables designed for this unit.
- Do not use liquid or aerosol cleaners to clean this unit. Always unplug the power to the device before cleaning.



TABLE OF CONTENTS

INTRODUCTION	1
FEATURES	1
PACKAGE CONTENTS	1
SPECIFICATIONS	2
PANEL DESCRIPTION	3
CONNECTION DIAGRAM	4
OSD MENU	5
OPERATION APPROACH	6

INTRODUCTION

The **NP-VG2HD VGA & Audio to HDMI Scaler Converter** offers an easy and instant approach for converting analog PC video (VGA) with either digital audio (S/PDIF) or analog stereo audio to digital HDMI. With this module, VGA based devices such as PC with S/PDIF or analog stereo audio can readily connect to your HDMI TV. With such a convenience, presentations, demonstrations, or digital signage become easier and more cost effective.

FEATURES

- IR remote control
- OSD control interface
- Maximum pixel rate : 165MHz
- S/PDIF & Stereo input supported
- Deinterlacer supported
- Supports noise reduction and video enhancement features
- Over / under scanning adjustable
- Video H/V mirror supported
- Active video area adjustment supported
- Wall-mount housing design for easy installation
- Key lock function

PACKAGE CONTENTS

- 1x NP-VG2HD
- 1x 5V/4A power supply unit
- 1x IR Remote control
- 1x User Manual

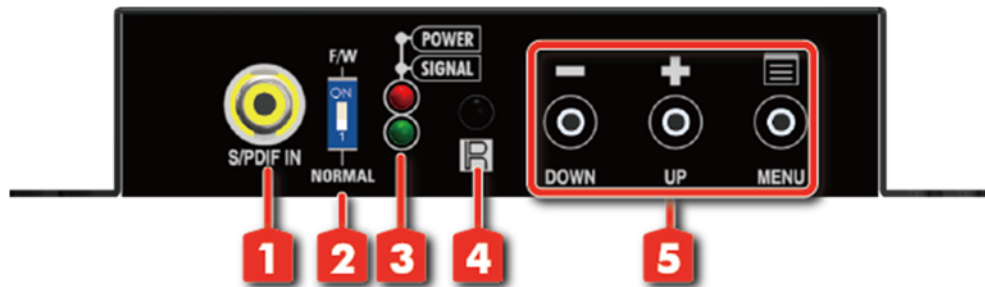
SPECIFICATIONS

Item			Description	
Input	Video	Universal Analog	Number / Signal	1 input / Analog RGB - Analog RGB: 0.7 V [p-p]
			Connector	female 15-pin HD
	Format		Analog SVGA / XGA / WXGA(1280x800) / SXGA / UXGA / WSXGA+ / 576p / 720p / 1080p EDID is always 1080p	
	Audio	Digital	Number / Signal	1 input / S/PDIF
		Analog	Number / Signal	1 input / Stereo LR unbalanced signal
Connector	1 RCA pin jack			
Output	Video	HDMI / DVI	Number / Signal	1 output / HDMI
			Connector	1 female HDMI Type A (19-pin)
	Format		VGA / SVGA / XGA / SXGA / WXGA (1280x800) / UXGA / WSXGA+ / 1920 x 1080* / WUXGA* / 480i / 480p / 576i / 576p / 720p / 1080i / 1080p * 1920 x 1080 / WUXGA are only output as Reduced Blanking	
	Audio	Digital	Number / Signal	1 output
			Connector	1 female HDMI Type A (19-pin),
	Scan Converter		Picture adjustment (brightness, contrast), Test pattern	
	Others		H-Mirror, V-Mirror, H-Shift, V-Shift	
Others	Power		DC 5V 4A	
	Power consumption		About 5 Watts	
	Dimensions		92 (W) × 28(H) × 83 (D) mm (Excluding connectors and the like)	
	Weight		0.29 kg	
	Temperature		Operating: 0 °C to +40 °C Storage: -20 °C to +60 °C	

*CEC, ARC and HEC in HDMI are not supported.

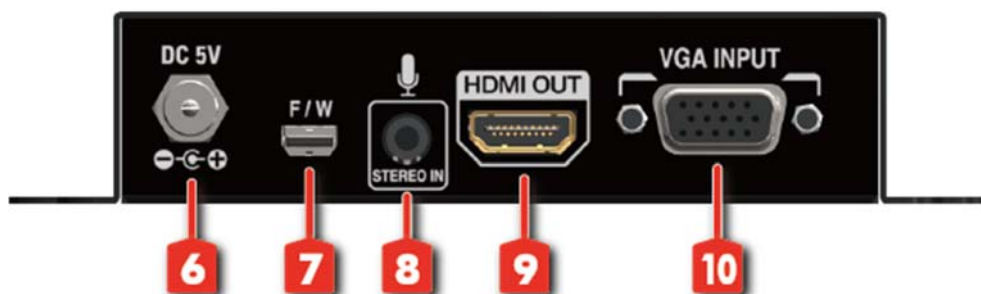
PANEL DESCRIPTION

Front Panel



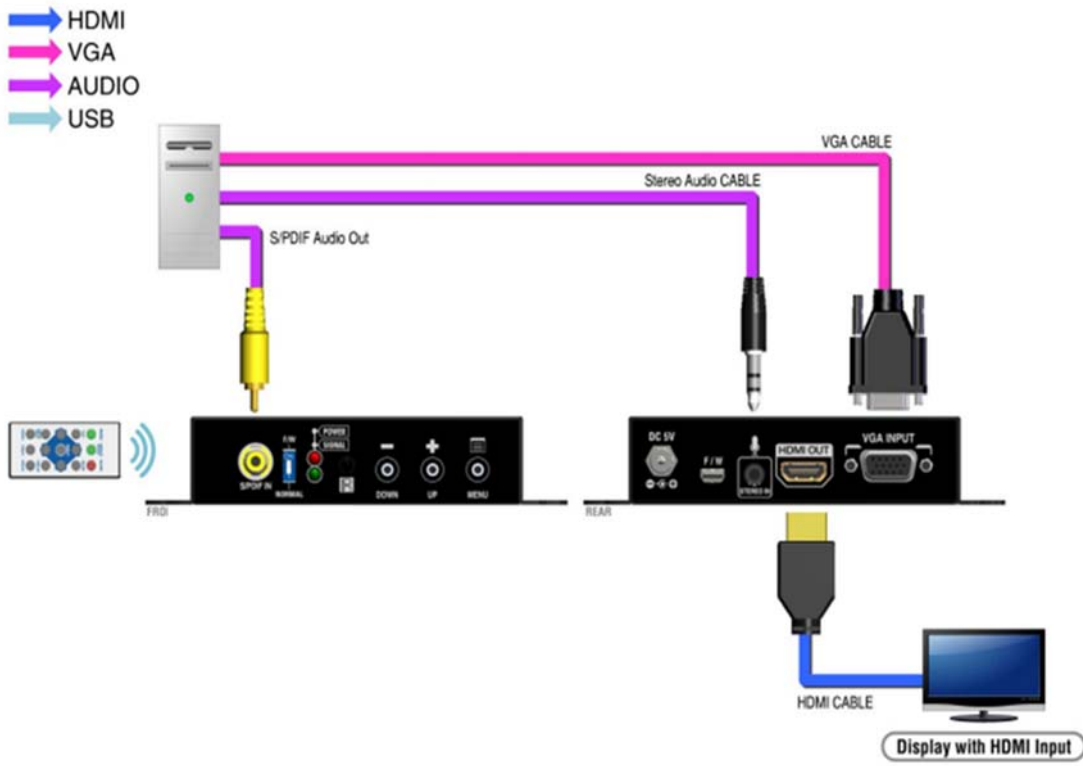
- 1. S/PDIF AUDIO IN:** connect to digital S/PDIF audio source
- 2. DIP SWITCH:** For firmware update
ON [↑]: firmware update mode
OFF [↓]: normal mode
- 3. LED INDICATOR:**
[green]: signal indicator LED
[red]: power indicator LED.
- 4. IR SENSOR:** IR sensor for receiving the IR commands from IR remote
- 5. PUSH BUTTON**
[LEFT]: Down Button . For key lock, please keep pushing the button for 3 seconds.
When keylock is enabled, “OSD locked” is displayed on top left side of the monitor.
For release of key lock, please keep pushing for 3 seconds.
“OSD unlocked” indication will appear on top left side of the monitor.
[MID]: Up Botton
[RIGHT]: Menu/Enter Button. For displaying OSD or fix the setting.

Rear Panel



- 6. +5V DC:** Interlocking power jack for 5V DC power supply unit
- 7. Mini USB:** F/W update & control port
- 8. STEREO AUDIO IN:** connect to analog stereo audio source
- 9. HDMI OUT:** Connect to a HDMI display with a HDMI male-male cable here.
- 10. VGA IN:** connect to a VGA source

CONNECTION DIAGRAM



OSD MENU

1.Output Setup	Out Reolu.	Setting output resolutions (*1) Auto-Detect: Automatically settle the available resolution which sink device can display. Bypass: Output the same resolution as input resolution. Factory setting is set to 720P @ 60Hz
	Output Mode	RGB, YCbCr444, YCbCr422
	Default Pattern	Disable, White, Cross, Hatch, Color, Gray, Windows, H-Ramp, W-HRamp, W-VRamp, Diagonal
	Audio Source	Stereo, SPDIF
2.Image	Contrast	0~255 of Contrast Level
	Brightness	0~255 of Brightness Level
	Saturation	0~255 of Saturation Level
	Hue	0~255 of Hue Level
	B/W Extension	Off, On
	Color Tone	Off, Skin, Green
	Edge Enhance	Typ, Mid, Max, Off
	Sharpness	0~127 of Sharpness Level
3.Adjustment	Under/Over Scan	-50%~50% of Scan Level
	Aspect Ratio	Adjust aspect ration of output image. [16:9] Insert black frame to top/bottom [4:3] Insert black frame to left/right [Auto] Automatically settle aspect ratio according to input resolution. (* 2) [Stretch] Enlarge input resolution according to output resolution. (* 3)
	H-Mirror	Off, On

	V-Mirror	Off, On
	H-Shift	-100~100 of H-Shift Level
	V-Shift	-50~50 of V-Shift Level
4. System	Input Res. Info	
	Firmware Version	
	Factory Reset	

(*1) Available output resolution can be referred to Specifications.

(*2) Unexpected output aspect ratio may be output depends on the sink device combination. In this case, please settle aspect ration by manual.

(*3) When Output resolution setting is Bypass, please settle aspect ratio setting to Stretch.

OPERATION APPROACH

Method A: Push-in Button



Method B: IR Remote Control

Button	Function
FREEZE	Freeze video
ASPECT RATIO	Aspect ratio change
BLANK	Blank video
EXIT	Exit OSD
ENTER	Enter key
UP	Up key
LEFT	Left key
RIGHT	Right key
DOWN	Down key
MENU	Menu on
INPUT INFO	Source resolution information
1080p60	Select 1080p60 output resolution
1080i60	Select 1080i60 output resolution
720p60	Select 720p60 output resolution
480p60	Select 480p60 output resolution

