



USB2.0/1.1 Network Extender NP-USB2GBE-LR

The IDK NP-USB2GBE-LR is a network transceiver that transmits USB 2.0 / 1.1 signals over Ethernet over long distance. The transmission distance is 100m from each transceiver and can be switched by external control commands. There is no need to install additional software for use. When combined with HDMI over IP products with GbE ports, the NP-USB2GBE-LR can also be configured as a KVM transmitter, and it is possible to add only the required part. This product can also be used as a point-to-point transmitter by connecting devices directly.

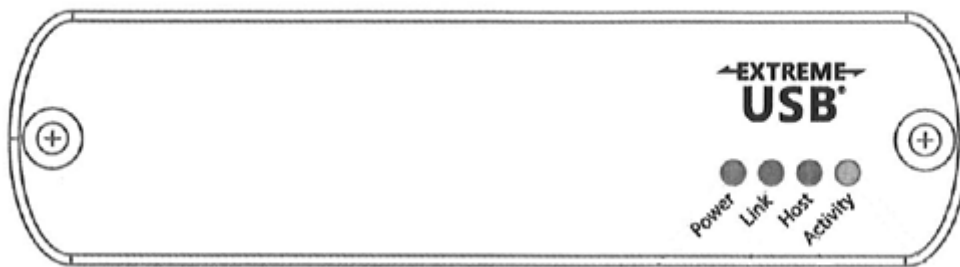
■ Specification

Item		Local Unit	Remote Unit	
Extension distance	Direct Connect	Up to 100m(330ft) over solid core CAT 5e/ Cat6/ Cat7 cable		
	Network switch connected	100m: distance to Switch	100m: distance to Switch	
USB	Maximum USB 2.0 USB 1.1 Throughput	USB 2.0: Up to 480Mbps(*1), USB 1.1: Up to 12Mbps		
	Maximum number of connected devices	30 devices		
	Connector	1 x USB Type B Receptacle	4 x USB Type A Receptacles	
Network	Traffic speed	100 / 1000 base-T Ethernet		
	Data Traffic	Layer 2		
	Control Traffic	Layer 3 (Unicast, Broad cast)		
	Connector	1 x RJ45	1 x RJ45	
Others	AC adapter		Input: 100 - 240 VAC ± 10%, 50 Hz / 60 Hz ± 3 Hz Output: 24 VDC 1 A 24 Watts	
	Available Current		Up to 600mA to each USB port	
	Power consumption	Maximum 2.5W Power supply from USB connector	About 24Watt (When all USB devices at maximum consumption)	
	Dimensions	100(W) x 26(H) x 76 (D) mm, (3.9" x 3.0" x 1.0")		
	Weight	180 g	lbs. / 190g	
	Temperature	Operating: 32°F to 122°F / -20°C to 50°C Storage: -4°F to 158°F / -20°C to 70°C		
	Humidity	Operating humidity: 20% to 80% relative humidity, non-condensing Storage humidity: 10% to 90% relative humidity, non-condensing		
Accessories	1 AC Adapter, 1 USB cable (2m)			

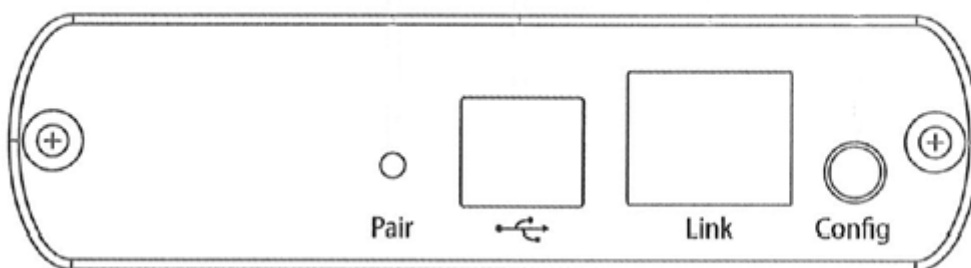
*1 Depending on the network environment, transmission speed may be reduced

■ Front and rear panel
Local Unit

Front View

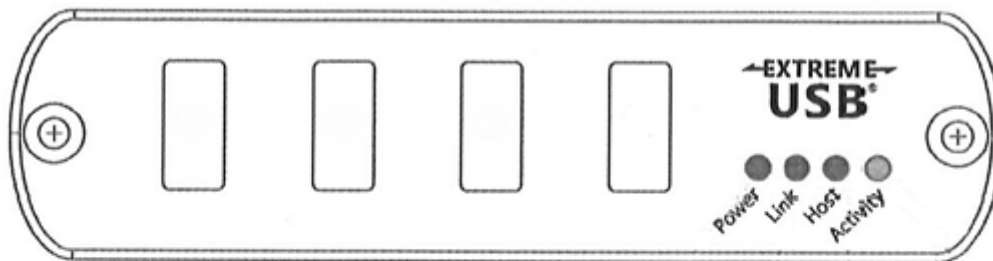


Rear View

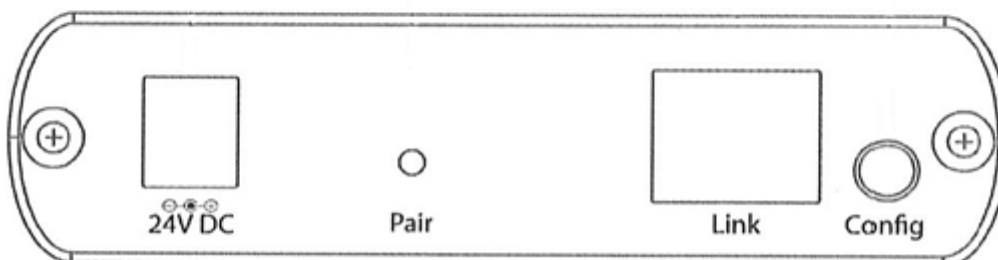


Remote Unit

Front View



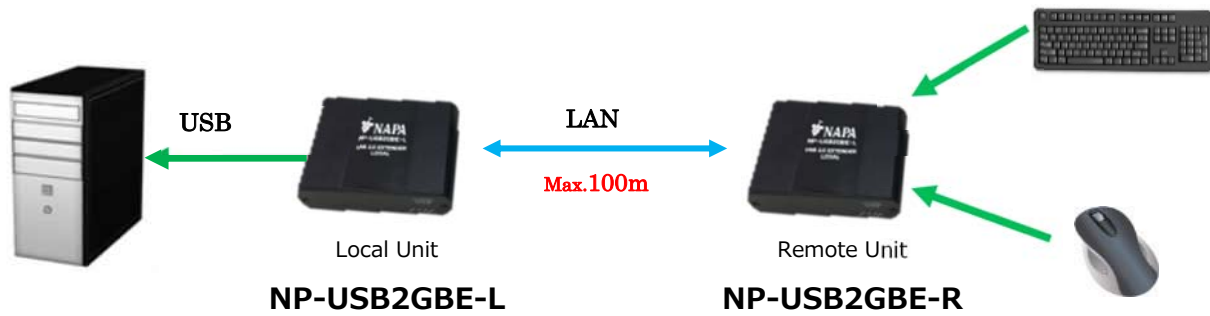
Rear View



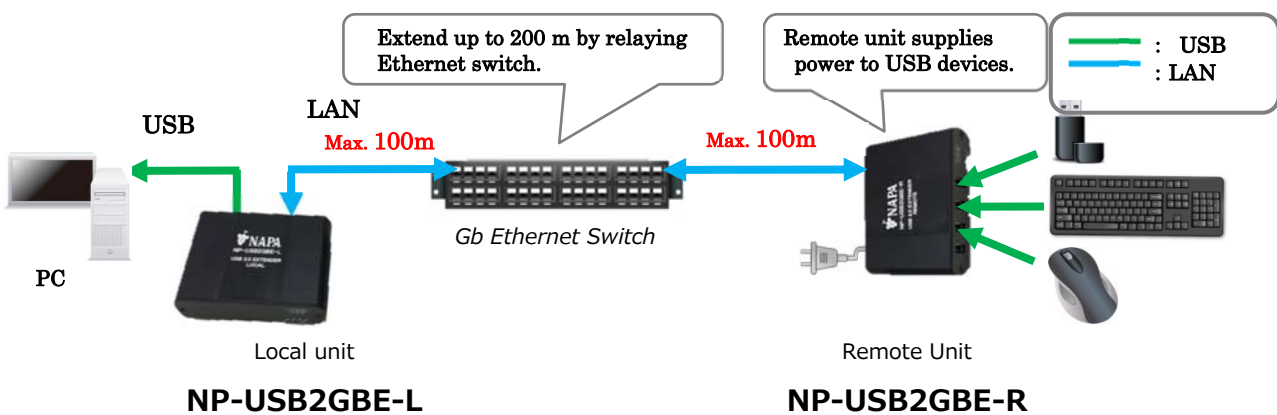


USB2.0/1.1 Network Extender NP-USB2GBE-LR

■ Diagram



■ Sample connection diagram



[Features]

■ USB

- USB 2.0 throughput up to 480 Mbps
- Integrated hub provides ports for four USB devices, use hubs to add more
- Supplies up to 600mA to each USB port concurrently
- Operates with all USB controllers

■ ExtremeUSB®

- Transparent USB extension
- True plug and play; no software drivers required
- Works with all major operating systems: Windows®, OS X® and Linux®

■ Control output

- LAN (Bi-directional communication)

■ Application

- Remote storage
- Security and monitoring
- Professional Audio-Visual
- Keyboard and mouse